

Hentet fra:
<http://www.garmin.com/support/faqs/search.jsp>

1. **Garmin GPS to PC Wiring Instructions**

Introduction:

This document will outline the basics for connecting most Garmin GPS receivers to a PC serial connector for data transfer. Since the GPS needs to both send and receive information from your PC, the data connection will consist of three wires: Transmit Data (TxD), Receive Data (RxD), and Signal Ground (SG). The SG wire is common for both power and data grounding.

Supplies:

- Serial connector

Most PCs use a standard 9-pin male serial port, also referred to as a DB9. Older systems may have a male 25-pin DB25 port. Don't confuse this with the parallel (printer) port, which has a 25 pin female connector on the back of your computer. You will need to obtain the appropriate female connector to connect your computer. Most electronic or computer supply stores should carry this item.

- GPS Power/Data cable

If this cable is not standard equipment supplied with your receiver, you purchase it from a Garmin dealer or [Online Store](#).

- Soldering iron and solder

Optional items you may need or use:

- DC power source

Check with Garmin, a Garmin dealer, or an electronics supply store.

- Cigarette lighter adapter or extra wire for supplying power to GPS.

Check with an automotive or electronic supply store.

- Wire strippers/cutters
- Multimeter

Handy for testing the connections when completed.

Cautions:

- Be certain all cables are disconnected from the GPS unit, PC, and/or power supplies before soldering.
- If you do not wish to perform the soldering/wiring steps, please seek the assistance or services of an electronics repair/service shop or comparable professional. When in doubt, seek professional assistance.
- When soldering, be sure to observe all safety methods and wear the proper protective equipment.

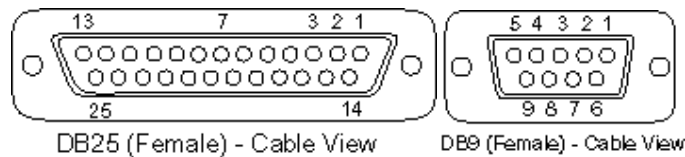
Hentet fra:

<http://www.garmin.com/support/faqs/search.jsp>

- If you are supplying external power to your GPS, be sure to observe the proper voltage ranges for your unit. Failure to do so may result in damage to your GPS. PCs do not generate the proper DC voltage to power a GPS unit.

Assembly Steps:

12. Make sure the parts to be soldered are clean and dry. Wiring should be stripped to appropriate lengths to ensure proper fit into the connector. If the serial connector already has wires attached, use appropriate wire connectors for the assembly as opposed to soldering the connections.
13. Refer to the wiring diagram below which applies to your GPS unit's type of interface connector.
14. Solder the power/data cable Data Out to the Receive Data (Rx) pin 2 of the DB9 (DB25 pin 3).
15. Solder the power/data cable Data In to the Transmit Data (Tx) pin 3 of the DB9 (DB25 pin 2).



16. Solder the power/data cable Ground to the Signal Ground (SG) pin 5 of the DB9 (DB25 pin 7).

Note: If you are also supplying external power to the GPS, you will need to split the GPS Ground wire and attach it to both the PC Signal Ground (SG) pin and the negative (-) portion of your power source. The Ground is common to both power and data. Also, connect the positive (+) power lead to the positive side of your power source at this time. For the voltage ranges & fuse amperages of your GPS unit, please consult the owner's manual specifications.

Once the connections are soldered:

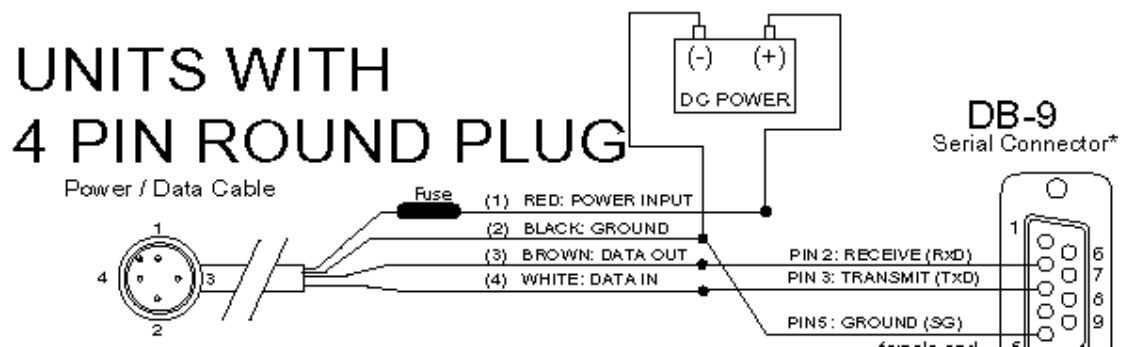
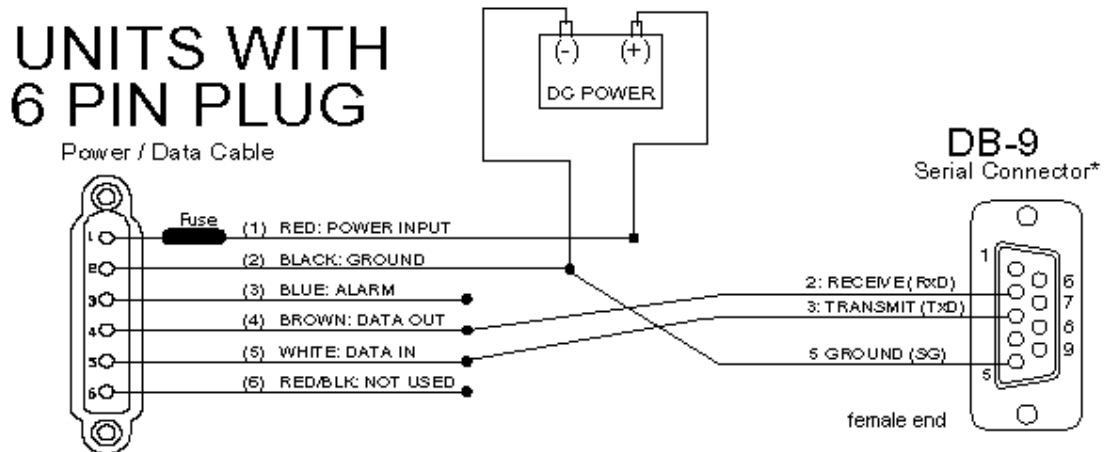
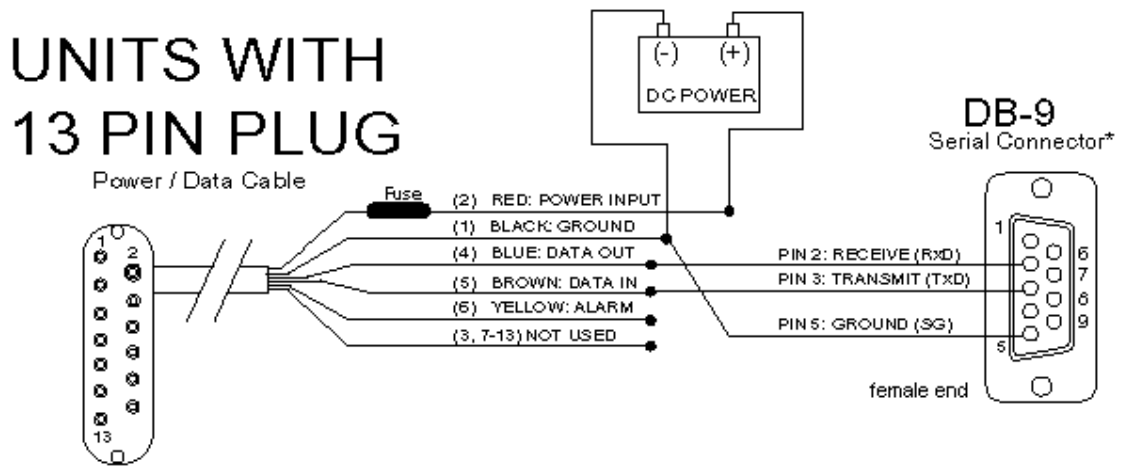
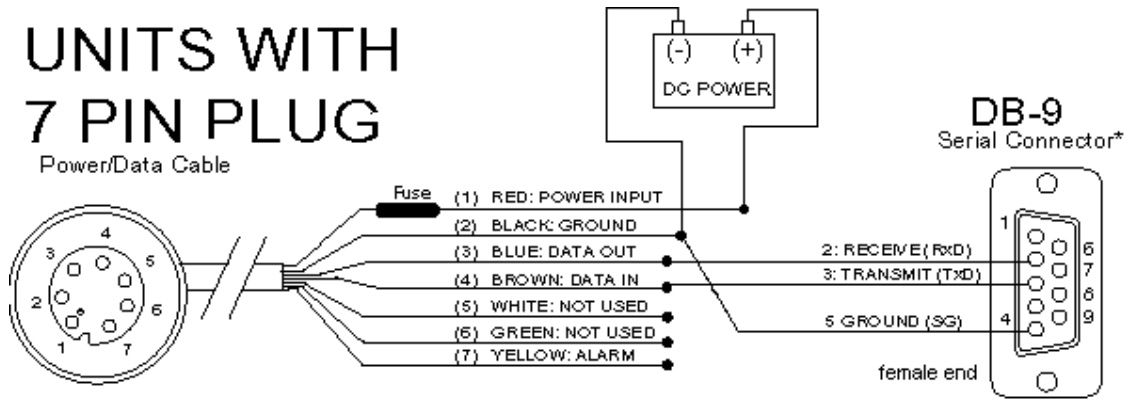
Connect the power/data cable to the GPS and connect the serial connector to the serial port on the back of your computer. The cable assembly should now be ready to transfer data between your GPS and PC.

If you are having problems, try checking the following:

- Make sure all cables are plugged in firmly.
- Check the continuity of the cable connections (use a multimeter or continuity checker).
- Make sure the serial port on the PC is enabled and not in use by another device.
- Check that the interface on the GPS is set properly in order to transfer data.

If problems persist, you may want to refer to the GPS User's Guide or contact your PC maker for assistance. If you are still having problems, please contact Garmin Customer Service.

Hentet fra:
<http://www.garmin.com/support/faqs/search.jsp>



Support

Hentet fra:
<http://www.garmin.com/support/faqs/search.jsp>

